

## Known Cart Manufacturers

The City of Atlanta requires that permitted vendors operating in the public right of way vend from either official kiosks, or from vending carts. There are a number of cart manufacturers that are known to produce carts that fit the City's size and design requirements. They include:

### **ALL A CART Manufacturing, Inc.**

2001 Courtright Road  
Columbus, Ohio 43232  
Nationwide: (800) 695-2278 x203  
Mobile: (614) 832-2552  
Fax: (614) 443-4248  
Email: [jjmorris@allacart.com](mailto:jjmorris@allacart.com)  
Web: <http://www.allacart.com>

### **Cart-King International Ltd**

Phone: 1-877-986-7771  
Email: [info@cart-king.com](mailto:info@cart-king.com)  
Web: <http://cart-king.com/>

### **FC Dadson in Partnership with GST Manufacturing, LTD\***

4201 Janada Street  
Haltom City, TX 76117  
Phone: 817-520-2423 or 817-520-2320  
Cell: 682-429-4014  
Fax: 817-520-2323  
Email: [tmcgough@gstmanufacturing.com](mailto:tmcgough@gstmanufacturing.com)

*\* FC Dadson contracts with GST Manufacturing, LTD on all metal cart fabrication. To contact FC Dadson directly, please use the following details:*

*Phone: 920-757-1486 Ext. 123  
920-757-1493*

### **Midway Stainless Fabricators**

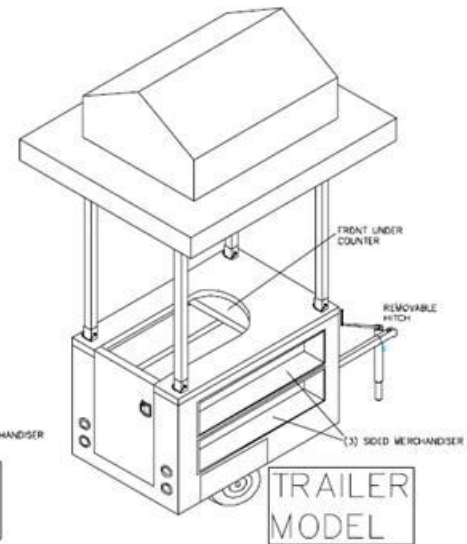
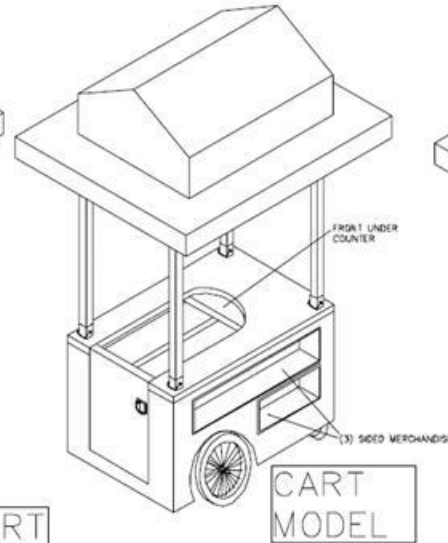
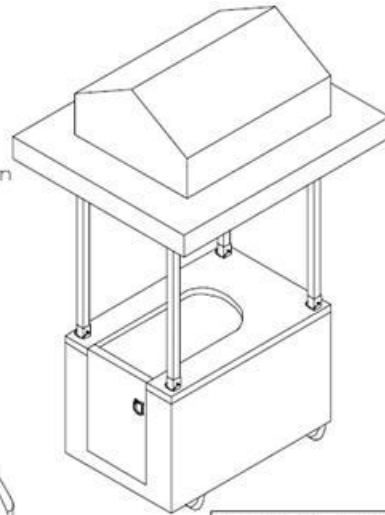
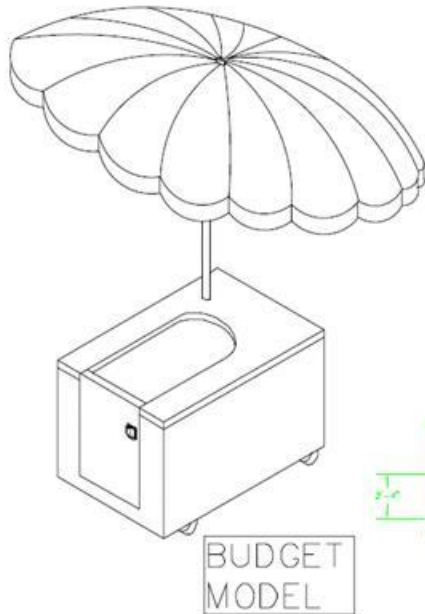
25 Montgomery St.  
Hillside, NJ 07205  
Phone: 908-624-9660  
Fax: 908-624-9666  
Web: [www.midwaystainless.com](http://www.midwaystainless.com)  
E-Mail: [mikecurci@midwaystainless.com](mailto:mikecurci@midwaystainless.com)

## Sample Vending Cart Pictures



# Sample Cart Design & Pricing: Midway Stainless Fabricators

MIDWAY STAINLESS FABRICATORS  
 25 MONTGOMERY ST.  
 HILLSIDE, NJ 07205  
 PH#908-624-9660  
 FAX#908-624-9666  
 WEBSITE midwaystainless.com  
 E-MAIL mikecurci@midwaystainless.com

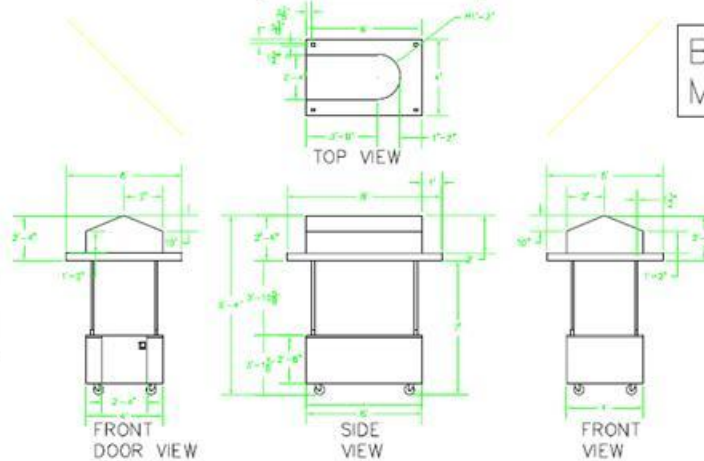


BASIC CART MODEL

CART MODEL

TRAILER MODEL

BASIC CART MODEL CAD SHOWN



**FEATURES:**  
 MADE OF 100% 304 STAINLESS STEEL  
 RETRACTABLE ALUMINUM AWNING  
 STREET LEGAL TRAILER MODEL  
 HEAVY DUTY WELDING  
 ALL UNITS CAN BE GRAPHIC APPLIED  
 ALL OUTDOOR NON CORROSIVE MATERIAL USED

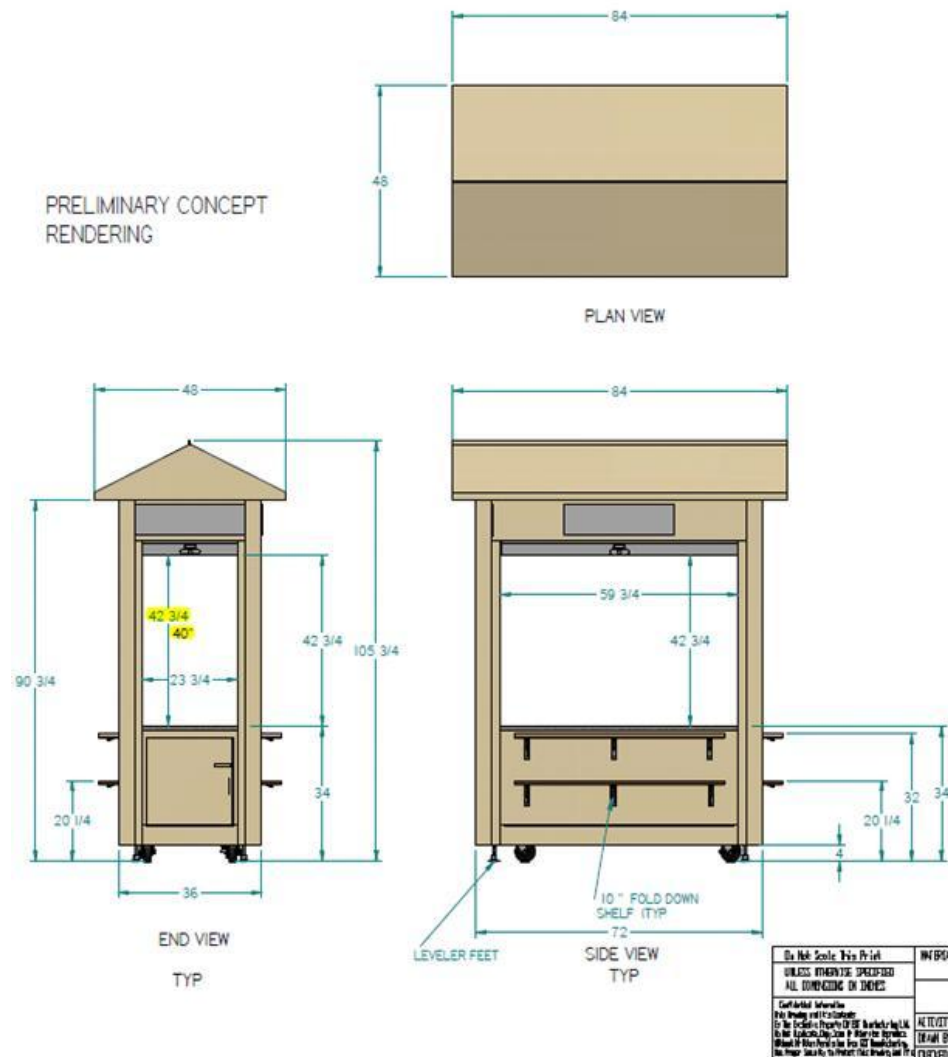
NEXT ASSN		CITY OF ATLANTA	TR. FINANCE
DATE	10-29-13		
DWG BY			
DWG CHK			STREET VENDING

### Midway Stainless Cart Details:

- All metal construction made of 304 stainless steel
- Retractable aluminum awning
- Non-corrosive materials
- Powder coat using standard colors
- Pricing: \$5400-7900 depending on model; ~35% discount if carts are produced in China
- 1-2 month lead time for US produced carts; 2-4 month lead time for China produced carts

	Budget Model	Basic Model	Cart Model	Trailer Model
US Pricing	\$5,440	\$5,700	\$7,200	\$7,920
US Lead Time	1-2 months			
China Pricing	\$3,400	\$3,700	\$4,500	\$4,950
China Lead Time	2-4 months			

## Sample Cart Design & Pricing: FC Dadson



### FC Dadson Cart Details:

- All metal construction including aluminum roof, stainless steel base, galvanized body with metal counter top
- Powder coat using standard colors
- Includes flip up shelves and caster wheels
- Pricing: \$6,400/cart for 10+ carts ; ~\$10,000/cart if individual carts purchased
- Shipping costs are \$3,500/trip; each trip can accommodate 7 carts  
Single cart delivery based on individually negotiated price
- 2 Month Lead Time